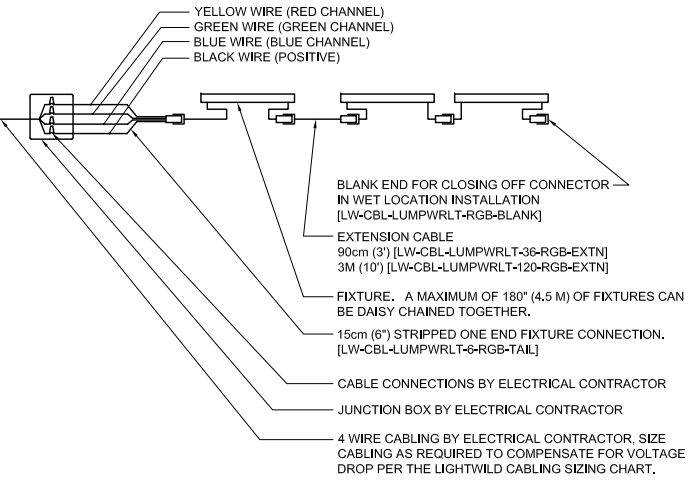


**SERIES B/C LIGHTWILD  
LED LIGHTING CONTROLLER**



**LIGHTWILD MAXIMUM CABLE LENGTH FOR A SINGLE RUN**

LOAD AT 24VDC	MAXIMUM CABLE LENGTH TO THE LAST FIXTURE IN A CABLE RUN BY WIRE SIZE					
WATTS	#18	#16	#14	#12	#10	#6
0-12	0.0-0.5	150 ft	240 ft	300 ft	300 ft	300 ft
12-24	0.5-1.0	75 ft	120 ft	190 ft	300 ft	300 ft
24-36	1.0-1.5	50 ft	80 ft	120 ft	200 ft	300 ft
36-48	1.5-2.0	35 ft	60 ft	95 ft	150 ft	240 ft
48-60	2.0-2.5	N/A	45 ft	75 ft	120 ft	190 ft
60-72	2.5-3.0	N/A	40 ft	60 ft	100 ft	160 ft
72-84	3.0-3.5	N/A	30 ft	55 ft	85 ft	130 ft
84-90*	3.5-4.0	N/A	N/A	45 ft	75 ft	120 ft

\*90 WATTS IS THE MAX WATTAGE PER RUN FOR CLASS 2 INSTALLATIONS

MOUNTING CLIPS ARE PROVIDED IN THE FOLLOWING QUANTITIES BASED ON FIXTURE LENGTH.

LENGTH	QTY
11,813" (300mm)	2
23,625" (600mm)	3
47,375" (1203mm)	4

**LEGEND**

- PREINSTALLED
- FIELD INSTALLED
- - - PREINSTALLED OPTION
- · · · · FIELD INSTALLED OPTION

WIRING DIAGRAMS ARE GENERIC FOR MULTIPLE PART NUMBERS. EQUIPMENT AND OPTIONS SHOWN ON THE DIAGRAM MAY NOT BE INCLUDED AS PART OF THE EQUIPMENT PROVIDED.

FIXTURES ARE SUBJECT TO CHANGE WITHOUT NOTICE.

LIGHTWILD IS THE OWNER OF ALL COPYRIGHT AND ALL OTHER INTELLECTUAL PROPERTY RIGHTS IN THIS DRAWING AND SHALL ONLY BE USED FOR PURPOSES SET OUT AND APPROVED BY LIGHTWILD. ANY ATTEMPT TO COPY OR DISTRIBUTE THIS DOCUMENT, IN WHOLE OR IN PART, OR TO USE THIS DOCUMENT WITHOUT THE EXPRESS WRITTEN APPROVAL OF LIGHTWILD IS PROHIBITED. COPYRIGHT © 2008 LIGHTWILD

**LIGHTWILD**  
7320 W 162ND ST.  
OVERLAND PARK, KS 66085  
913-851-3000

PART NUMBERS  
LW-LUMPWRLT-X-RGB-XX

WIRING DIAGRAM  
LUMEN POWER LITE LINEAR  
RGB  
NO SCALE  
REV: 00 DATE: 02/12/2010  
SCALE: NONE SHEET: 1 OF 1