

LIGHTWILD

LIGHTWILD TILES GENERAL INSTALLATION INSTRUCTIONS

SEE WIRING DIAGRAMS FOR IMPORTANT ADDITIONAL INFORMATION

1

Prepare installation location. Provide for adequate drainage below fixture location to prevent the support box from filling with water.

Porous base material.

Tile support box.

Provide drainage pipe to subsurface if Tile is installed on a non-porous base material.

2

Secure the support box in place. The support box should be positioned so that the installed LightWild Tile is 1/16 to 1/8 inch below the finished surface. The provided wooden blockout lid on the support box represents the thickness of the finished fixture height.

3

Run conduit and cable to the support box.

4

Secure the wooden blockout lid to the support box using duct tape (supplied by others).

5

Install concrete, cement, pavers or other flooring materials. The finished floor should exceed the blockout lid by 1/16 to 1/8 inch such that the LightWild Tile is slightly recessed in the final installation.

Once floor material is in place, remove and discard the wooden blockout lid.

6

Feed cables into the junction box. Note: Leave enough lead cable on LED tile to allow removal for service.

7

Clamp the cables to the junction box.

8

Strip wires.

9

Connect cables.

10

Tuck cables into the junction box.

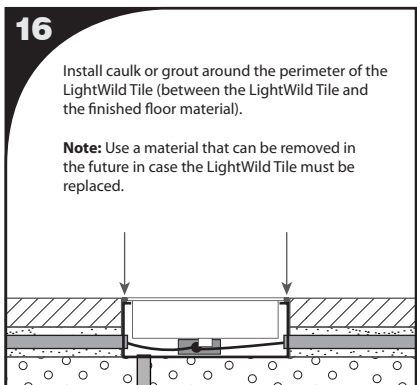
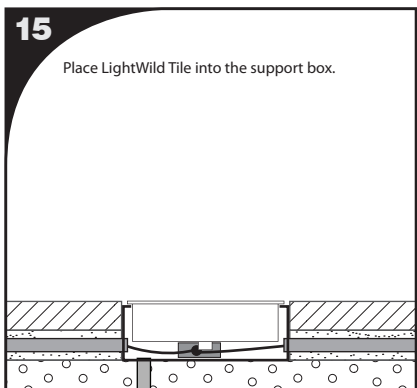
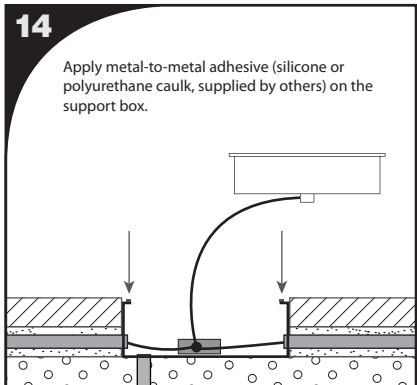
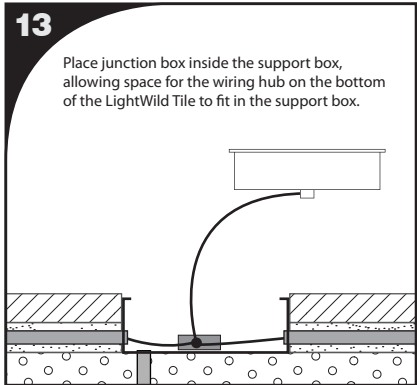
11

Fill junction box with dielectric grease.

12

Install junction box cover.

SEE WIRING DIAGRAMS FOR IMPORTANT ADDITIONAL INFORMATION



Installation Notes

An installed Tile should be slightly recessed in the finished surface level to prevent trip hazards and to protect the Tile edge. The surface of the wooden blackout lid on a LightWild support box can help approximate the surface level of the Tile.

Build the base under and around the support box. This can help drainage from inside the support box and also secure the support box during concrete placement.

WARNING: RISK OF ELECTRIC SHOCK. Install all luminaires 10 feet (3.05 meters) from a pool, spa, or fountain.

The unit secondary wiring shall be protected by routing in close proximity to the luminaire or fitting or next to a building structure such as a house or deck. The wiring shall not be buried except for a maximum 6 inches (15.2 cm) in order to connect the main secondary wire. The wire shall have the length cut off so that it is connected to a connector within 6 inches (15.2 cm) from a building structure, a luminaire, or fitting.

Proper drainage in potentially wet areas is required. Do not allow water or liquids to stand or collect around installed Tiles.

Apply a concrete release agent (form release) to the outside surface of the wooden blackout cover to ease removal after placement of concrete.

During final placement of the Tile, apply a metal-to-metal adhesive where the Tile sets on the support box for maximum security.

LightWild Tiles are built to withstand common weather elements, pedestrian traffic, and occasional traffic from utility vehicles such as maintenance carts. Tiles are not rated for full size vehicular traffic. Common sense care should be used around the Tiles. For instance, if the edge of a Tile is struck with a snowplow or shovel, damage is likely to occur. Damage is also likely if excessive salt, snow removal agents, or other chemicals are used on the Tiles.

Tiles are sealed fixtures with no replacement bulb options, meaning the entire fixture must be replaced if there is a fixture failure. Following LightWild's installation recommendations provides a reasonable means for removing LightWild Tiles if necessary.

The manufacturing process used for LightWild Tiles can occasionally produce very slight variations in dimensions and other Tile features such as lens or LED colors quoted in this manual. Please contact your LightWild representative or the LightWild Projects Team (projects@lightwild.com or 913-851-3000) if you have any questions about the LightWild Tiles, support boxes, or power and control units delivered to your project site.

See additional installation information at www.lightwild.com

LIGHTWILD FIXTURES • MAXIMUM CABLE LENGTHS FOR SINGLE RUNS								
Load at 24VDC		Maximum cable length (in feet) to the last fixture in the cable run						
Watts	Amps	#18AWG	#16AWG	#14AWG	#12AWG	#10AWG	#8AWG	#6AWG
0-12	0-0.5	150 ft.	240 ft.	300 ft.	300 ft.	300 ft.	300 ft.	300 ft.
12-24	0.5-1.0	75 ft.	120 ft.	190 ft.	300 ft.	300 ft.	300 ft.	300 ft.
24-36	1.0-1.5	50 ft.	80 ft.	120 ft.	200 ft.	300 ft.	300 ft.	300 ft.
36-48	1.5-2.0	35 ft.	60 ft.	95 ft.	150 ft.	240 ft.	300 ft.	300 ft.
48-60	2.0-2.5	n/a	45 ft.	75 ft.	120 ft.	190 ft.	300 ft.	300 ft.
60-72	2.5-3.0	n/a	40 ft.	60 ft.	100 ft.	160 ft.	250 ft.	300 ft.
72-84	3.0-3.5	n/a	30 ft.	55 ft.	85 ft.	130 ft.	220 ft.	300 ft.
84-96 *	3.5-4.0	n/a	n/a	45 ft.	75 ft.	120 ft.	190 ft.	300 ft.
96-108	4.0-4.5	n/a	n/a	40 ft.	65 ft.	100 ft.	170 ft.	270 ft.
108-120	4.5-5.0	n/a	n/a	35 ft.	60 ft.	95 ft.	150 ft.	240 ft.
120-132	5.0-5.5	n/a	n/a	35 ft.	55 ft.	85 ft.	140 ft.	220 ft.
132-144	5.5-6.0	n/a	n/a	30 ft.	50 ft.	80 ft.	120 ft.	200 ft.
144-160	6.0-6.7	n/a	n/a	n/a	45 ft.	70 ft.	110 ft.	180 ft.

* 90 watts is the maximum wattage per run for Class 2 installations.