

POWER AND CONTROL UNIT

- SHOW CONTROL BY AN INTEGRAL LIGHTWILD DMX DIRECTOR
- A LIGHTWILD WALL MOUNTED SCENE SELECTOR CAN BE ORDERED TO SELECT BETWEEN 8 DIFFERENT PRE-PROGRAMMED SCENES. REFER TO LIGHTWILD SCENE SELECTOR SPECIFICATION SHEET.
- AN INTEGRAL CONTACT CLOSURE INTERFACE CAN BE ORDERED TO SELECT BETWEEN UP TO 8 PRE-PROGRAMMED SHOWS BY UP TO 8 THIRD-PARTY CONTACT CLOSURES. REFER TO LIGHTWILD SCENE SELECTOR SPECIFICATION SHEET.
- DOWNLOAD CAD-BASED DIMENSIONAL DRAWINGS OF ENCLOSURES AND POWER SUPPLIES AT WWW.LIGHTWILD.COM

▼ POWER SUPPLY LOCATION

▼ ENCLOSURE

▼ NUMBER OF CIRCUITS FROM ONE ENCLOSURE

LW - SERIES C - _____ - _____ - _____

- PSI**
POWER SUPPLIES INSIDE ENCLOSURE
- PSO1**
POWER SUPPLIES OUTSIDE ENCLOSURE
 - SINGLE OUTPUT
 - EXTERIOR RATED
 - INTEGRAL JUNCTION BOXES ON ENDS
 - USES LW-PS-M24V-1 POWER SUPPLY (90 W)
- PSO3**
POWER SUPPLIES OUTSIDE ENCLOSURE
 - THREE OUTPUTS
 - EXTERIOR RATED
 - INTEGRAL JUNCTION BOXES ON ENDS
 - USES LW-PS-M24V-3 POWER SUPPLY (3x72 W)

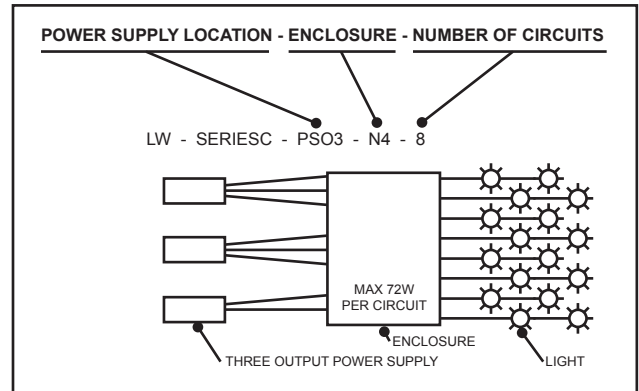
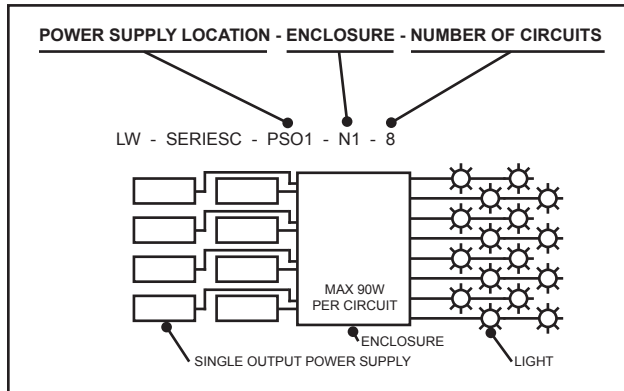
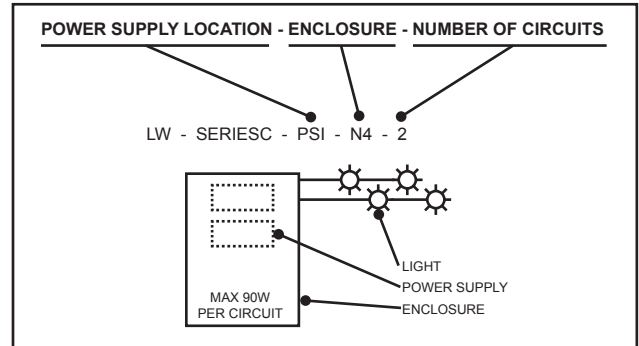
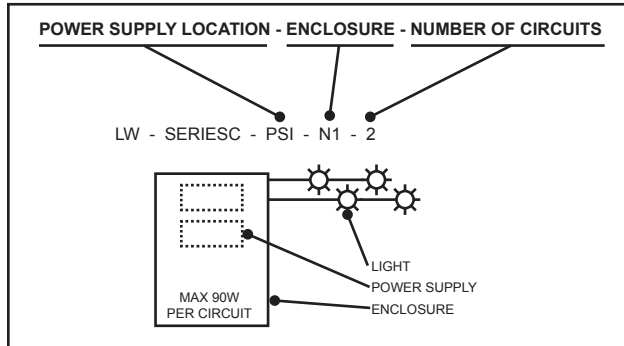
- N1**
NEMA 1 STEEL SURFACE MOUNT INDOOR ENCLOSURE THAT USES LW-PS-L24V POWER SUPPLY
- N4**
NEMA 4X PVC SURFACE MOUNT OUTDOOR ENCLOSURE THAT USES LW-PS-L24V POWER SUPPLY

UP TO 2 CIRCUITS CAN BE FED FROM AN N1 ENCLOSURE WITH INTEGRAL POWER SUPPLIES

UP TO 2 CIRCUITS CAN BE FED FROM AN N4 ENCLOSURE WITH INTEGRAL POWER SUPPLIES

UP TO 8 CIRCUITS CAN BE FED FROM AN N1 OR N4 ENCLOSURE WITH POWER SUPPLIES OUTSIDE THE ENCLOSURE

EXAMPLE PART NUMBERS AND DIAGRAMS



| POWER SUPPLY TECHNICAL INFORMATION | VOLTAGE | | | DIM (INCHES) | | | DIM (mm) | | | TYP EFF. |
|------------------------------------|---------|-----|-----|--------------|------|------|----------|------|------|----------|
| | 120 | 240 | 277 | L | W | H | L | W | H | |
| LW-PS-L24V | X | X | | N/A | N/A | N/A | N/A | N/A | N/A | 85 |
| LW-PS-M24V-1 | X | X | X | 12.3 | 2.54 | 1.7 | 313 | 64.5 | 43.2 | 85 |
| LW-PS-M24V-3 | X | X | | 12.4 | 5.98 | 2.95 | 315 | 152 | 75 | 85 |

TEMPERATURE RATINGS

- N1 ENCLOSURE: -13°F to 158°F (-25°C to 70°C)
- N4 ENCLOSURE: -13°F to 122°F (-25°C to 50°C)
- LW-PS-M24V-1 POWER SUPPLY: -22°F to 158°F (-30°C to 70°C)
- LW-PS-M24V-3 POWER SUPPLY: -22°F to 158°F (-30°C to 70°C)



ENCLOSURE DIMENSIONS

- N1 ENCLOSURE: 8 ins (203 mm) H x 14 ins (355 mm) W x 6 ins (152 mm)
- N4 ENCLOSURE: 16 ins (406 mm) H x 12 ins (305 mm) W x 6 ins (152 mm)

LISTINGS

- UL (2108 and 1838)