

### POWER AND CONTROL UNIT

- DIMMING OR SHOW CONTROL BY A THIRD PARTY DMX CONTROL DEVICE OR 0-10 VDC WALL DIMMER
- A LIGHTWILD DIMMER CAN BE ORDERED TO DIM 1 OR MORE CIRCUITS. REFER TO LIGHTWILD DIMMER SPECIFICATION SHEET.
- DOWNLOAD CAD-BASED DIMENSIONAL DRAWINGS OF ENCLOSURES AND POWER SUPPLIES AT [WWW.LIGHTWILD.COM](http://WWW.LIGHTWILD.COM)

▼ POWER SUPPLY LOCATION

▼ ENCLOSURE

▼ NUMBER OF CIRCUITS FROM ONE ENCLOSURE

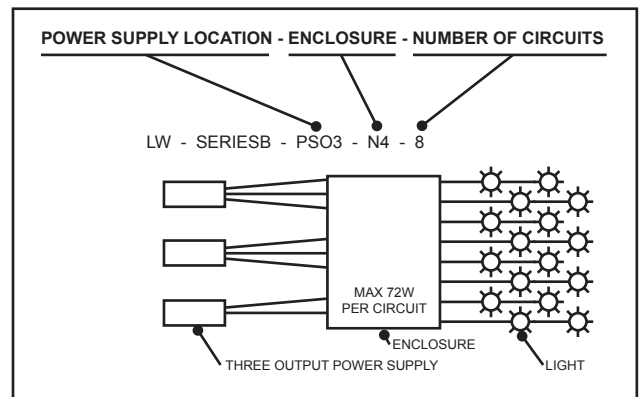
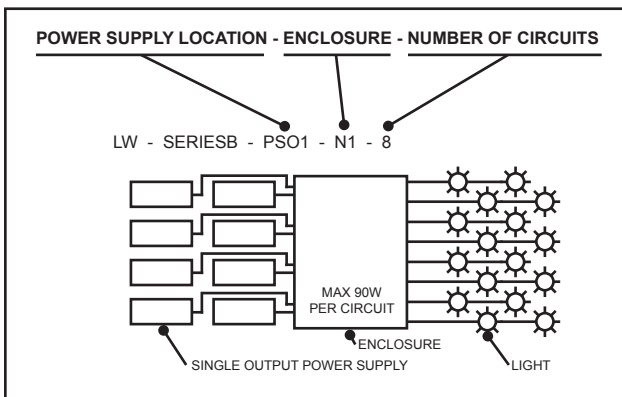
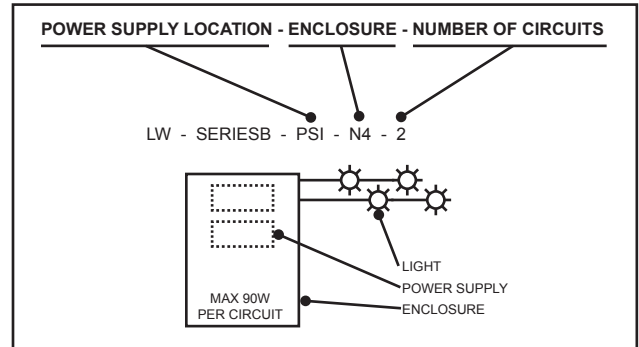
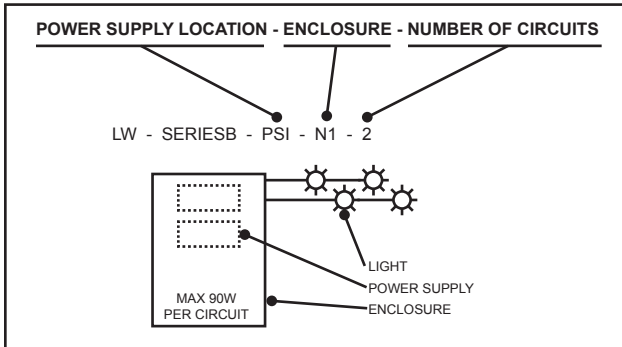
LW - SERIESB - \_\_\_\_\_

- PSI**  
POWER SUPPLIES INSIDE ENCLOSURE
- PSO1**  
POWER SUPPLIES OUTSIDE ENCLOSURE
  - SINGLE OUTPUT
  - EXTERIOR RATED
  - INTEGRAL JUNCTION BOXES ON ENDS
  - USES LW-PS-M24V-1 POWER SUPPLY (90 W)
- PSO3**  
POWER SUPPLIES OUTSIDE ENCLOSURE
  - THREE OUTPUTS
  - EXTERIOR RATED
  - INTEGRAL JUNCTION BOXES ON ENDS
  - USES LW-PS-M24V-3 POWER SUPPLY (3x72 W)

- N1**  
NEMA 1 STEEL SURFACE MOUNT INDOOR ENCLOSURE THAT USES LW-PS-L24V POWER SUPPLY
- N4**  
NEMA 4X PVC SURFACE MOUNT OUTDOOR ENCLOSURE THAT USES LW-PS-L24V POWER SUPPLY

- UP TO 2 CIRCUITS CAN BE FED FROM AN N1 ENCLOSURE WITH INTEGRAL POWER SUPPLIES
- UP TO 2 CIRCUITS CAN BE FED FROM AN N4 ENCLOSURE WITH INTEGRAL POWER SUPPLIES
- UP TO 8 CIRCUITS CAN BE FED FROM AN N1 OR N4 ENCLOSURE WITH POWER SUPPLIES OUTSIDE THE ENCLOSURE

### EXAMPLE PART NUMBERS AND DIAGRAMS



POWER SUPPLY TECHNICAL INFORMATION	VOLTAGE			DIM (INCHES)			DIM (mm)			TYP EFF.
	120	240	277	L	W	H	L	W	H	
LW-PS-L24V	X	X		N/A	N/A	N/A	N/A	N/A	N/A	85
LW-PS-M24V-1	X	X	X	12.3	2.54	1.7	313	64.5	43.2	85
LW-PS-M24V-3	X	X		12.4	5.98	2.95	315	152	75	85

**TEMPERATURE RATINGS**

- N1 ENCLOSURE: -13°F to 158°F (-25°C to 70°C)
- N4 ENCLOSURE: -13°F to 122°F (-25°C to 50°C)
- LW-PS-M24V-1 POWER SUPPLY: -22°F to 158°F (-30°C to 70°C)
- LW-PS-M24V-3 POWER SUPPLY: -22°F to 158°F (-30°C to 70°C)

**ENCLOSURE DIMENSIONS**

- N1 ENCLOSURE: 8 ins (203 mm) H x 14 ins (355 mm) W x 6 ins (152 mm)
- N4 ENCLOSURE: 16 ins (406 mm) H x 12 ins (305 mm) W x 6 ins (152 mm)

**LISTINGS**

- UL (2108 and 1838)

