

POWER AND CONTROL UNIT

- ON/OFF CONTROL ONLY OF WHITE AND SINGLE COLOR FIXTURES
- DOWNLOAD CAD-BASED DIMENSIONAL DRAWINGS OF ENCLOSURES AND POWER SUPPLIES AT WWW.LIGHTWILD.COM

▼ POWER SUPPLY LOCATION

▼ ENCLOSURE

▼ NUMBER OF CIRCUITS FROM ONE ENCLOSURE OR EXTERIOR RATED POWER SUPPLY.

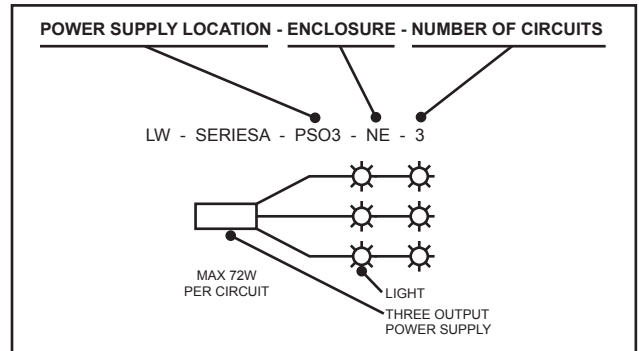
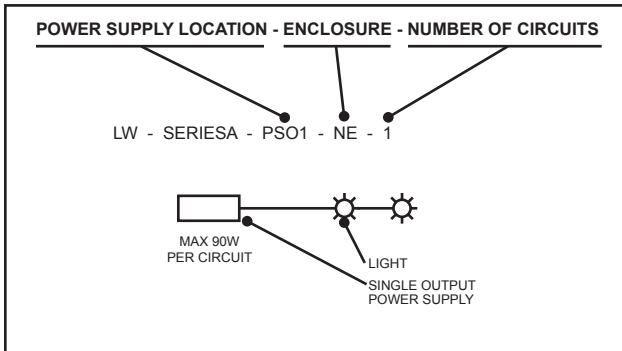
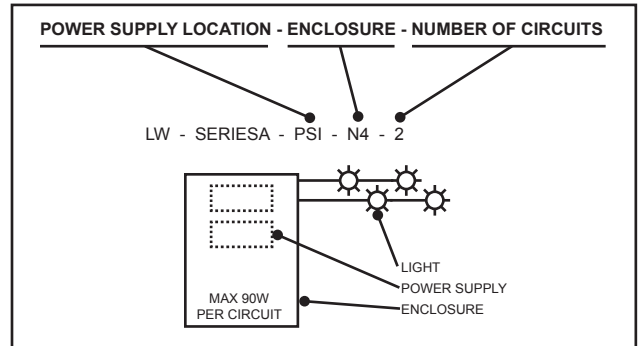
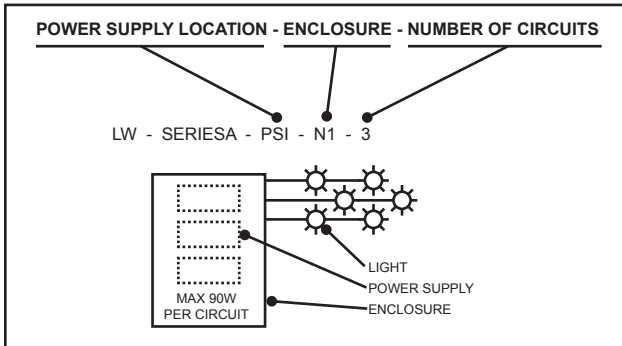
LW - SERIESA - _____ - _____ - _____

- PSI**
POWER SUPPLIES INSIDE ENCLOSURE
- PSO1**
POWER SUPPLIES OUTSIDE ENCLOSURE
 - SINGLE OUTPUT
 - EXTERIOR RATED
 - INTEGRAL JUNCTION BOXES ON ENDS
 - USES LW-PS-M24V-1 POWER SUPPLY (90 W)
- PSO3**
POWER SUPPLIES OUTSIDE ENCLOSURE
 - THREE OUTPUTS
 - EXTERIOR RATED
 - INTEGRAL JUNCTION BOXES ON ENDS
 - USES LW-PS-M24V-3 POWER SUPPLY (3x72 W)

- N1**
NEMA 1 STEEL SURFACE MOUNT INDOOR ENCLOSURE THAT USES LW-PS-L24V POWER SUPPLY
- N4**
NEMA 4X PVC SURFACE MOUNT OUTDOOR ENCLOSURE THAT USES LW-PS-L24V POWER SUPPLY
- NE**
NO ENCLOSURE REQUIRED; EXTERIOR RATED POWER SUPPLIES ARE PROVIDED WITH INTEGRAL JUNCTION BOXES ON THE ENDS

- UP TO 3 CIRCUITS CAN BE FED FROM EACH N1 ENCLOSURE
- UP TO 2 CIRCUITS CAN BE FED FROM EACH N4 ENCLOSURE
- (1) 90W CIRCUIT CAN BE FED FROM THE PSO1 POWER SUPPLY
- (3) 72W CIRCUITS CAN BE FED FROM THE PSO3 POWER SUPPLY

EXAMPLE PART NUMBERS AND DIAGRAMS



POWER SUPPLY TECHNICAL INFORMATION	VOLTAGE			DIM (INCHES)			DIM (mm)			TYP EFF.
	120	240	277	L	W	H	L	W	H	
LW-PS-L24V	X	X		N/A	N/A	N/A	N/A	N/A	N/A	85
LW-PS-M24V-1	X	X	X	12.3	2.54	1.7	313	64.5	43.2	85
LW-PS-M24V-3	X	X		12.4	5.98	2.95	315	152	75	85

TEMPERATURE RATINGS

- N1 ENCLOSURE: -13°F to 158°F (-25°C to 70°C)
- N4 ENCLOSURE: -13°F to 122°F (-25°C to 50°C)
- LW-PS-M24V-1 POWER SUPPLY: -22°F to 158°F (-30°C to 70°C)
- LW-PS-M24V-3 POWER SUPPLY: -22°F to 158°F (-30°C to 70°C)

ENCLOSURE DIMENSIONS

- N1 ENCLOSURE: 8 ins (203 mm) H x 14 ins (355 mm) W x 6 ins (152 mm)
- N4 ENCLOSURE: 16 ins (406 mm) H x 12 ins (305 mm) W x 6 ins (152 mm)

LISTINGS

- UL (2108 and 1838)