

### LIGHTWILD PROJECT LINEAR





Photo	Part No. and Description
	<p><b>LW-CBL-PLIN-36-EXTN</b></p> <p>3 foot (90 cm) extension cable for fixture-to-fixture connections. For fixture-to-power supply or fixture-to-control connections, this cable requires LW-CBL-PLIN-5-TAIL.</p>
	<p><b>LW-CBL-PLIN-120-EXTN</b></p> <p>10 foot (3m) extension cable for fixture-to-fixture connections. For fixture-to-power supply or fixture-to-control connections, this cable requires LW-CBL-PLIN-5-TAIL.</p>

Photo	Part No. and Description
	<p><b>LW-CBL-PLIN-5-TAIL</b></p> <p>5 inch (12.5cm) cable with stripped wires on one end and a fixture connection on the other. Stripped wires connect to a power supply or LightWild control unit. Specify one per home run.</p>
	<p><b>LW-CBL-PLIN-BLANK</b></p> <p>A sealing cap that maintains IP65 rating of unmated connectors in a wet location installation.</p>

### LIGHTWILD LUMENPOWER LITE LINEAR











Photo	Part No. and Description
	<p><b>LW-CBL-LUMPWRLITE-6-SC-TAIL</b></p> <p>Single-color LumenPower Lite 6 inch (150 mm) cable with stripped wires on one end and a fixture connection on the other. Stripped wires connect to a power supply or LightWild control unit. Specify one per home run.</p>
	<p><b>LW-CBL-LUMPWRLITE-6-RGB-TAIL</b></p> <p>RGB LumenPower Lite 6 inch (150 mm) cable with stripped wires on one end and a fixture connection on the other. Stripped wires connect to a power supply or LightWild control unit. Specify one per home run.</p>
	<p><b>LW-CBL-LUMPWRLITE-36-SC-EXTN</b></p> <p>Single color LumenPower Lite 40 inch (1 m) long extension cable with a jack on one end and a plug on the other end. For fixture-to-power supply or fixture-to-control connections, this cable requires LW-CBL-LUMPWRLITE-6-SC-TAIL.</p>
	<p><b>LW-CBL-LUMPWRLITE-120-SC-EXTN</b></p> <p>Single color LumenPower Lite 10 ft (3 m) long extension cable with a jack on one end and a plug on the other end. For fixture-to-power supply or fixture-to-control connections, this cable requires LW-CBL-LUMPWRLITE-6-SC-TAIL.</p>



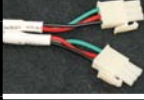





Photo	Part No. and Description
	<p><b>LW-CBL-LUMPWRLITE-36-RGB-EXTN</b></p> <p>RGB LumenPower Lite 40 inch (1 m) long extension cable with a jack on one end and a plug on the other end. For fixture-to-power supply or fixture-to-control connections, this cable requires LW-CBL-LUMPWRLITE-6-RGB-TAIL.</p>
	<p><b>LW-CBL-LUMPWRLITE-120-RGB-EXTN</b></p> <p>RGB LumenPower Lite 10 ft (3 m) long extension cable with a jack on one end and a plug on the other end. For fixture-to-power supply or fixture-to-control connections, this cable requires LW-CBL-LUMPWRLITE-6-RGB-TAIL.</p>
	<p><b>LW-CBL-LUMPWRLITE-BLANK</b></p> <p>A sealing cap that maintains IP65 rating of unmated connectors in a wet location installation.</p>

### LIGHTWILD LUMENPOWER STANDARD AND LUMENPOWER PLUS LINEARS

Photo	Part No. and Description
	<p><b>LW-CBL-LUMPWR-6-SC-TAIL</b></p> <p>Single-color LumenPower Standard or Plus 6 inch (150 mm) cable with stripped wires on one end and a fixture connection on the other. Stripped wires connect to a power supply or LightWild control unit. Specify one per home run.</p>
	<p><b>LW-CBL-LUMPWR-6-RGB-TAIL</b></p> <p>RGB LumenPower Standard or Plus 6 inch (150 mm) cable with stripped wires on one end and a fixture connection on the other. Stripped wires connect to a power supply or LightWild control unit. Specify one per home run.</p>
	<p><b>LW-CBL-LUMPWR-36-SC-EXTN</b></p> <p>Single color LumenPower Standard or Plus 40 inch (1 m) long extension cable with a jack on one end and a plug on the other end. For fixture-to-power supply or fixture-to-control connections, this cable requires LW-CBL-LUMPWR-6-SC-TAIL.</p>
	<p><b>LW-CBL-LUMPWR-120-SC-EXTN</b></p> <p>Single color LumenPower Standard or Plus 10 ft (3 m) long extension cable with a jack on one end and a plug on the other end. For fixture-to-power supply or fixture-to-control connections, this cable requires LW-CBL-LUMPWR-6-SC-TAIL.</p>

Photo	Part No. and Description
	<p><b>LW-CBL-LUMPWR-36-RGB-EXTN</b></p> <p>RGB LumenPower Standard or Plus 40 inch (1 m) long extension cable with a jack on one end and a plug on the other end. For fixture-to-power supply or fixture-to-control connections, this cable requires LW-CBL-LUMPWR-6-RGB-TAIL.</p>
	<p><b>LW-CBL-LUMPWR-120-RGB-EXTN</b></p> <p>RGB LumenPower Standard or Plus 10 ft (3 m) long extension cable with a jack on one end and a plug on the other end. For fixture-to-power supply or fixture-to-control connections, this cable requires LW-CBL-LUMPWR-6-RGB-TAIL.</p>
	<p><b>LW-CBL-LUMPWR-BLANK</b></p> <p>A sealing cap that maintains IP65 rating of unmated connectors in a wet location installation.</p>

### LIGHTWILD PANELS

Photo	Part No. and Description	Photo	Part No. and Description
	<b>LW-CBL-PNL-18-SC-EXTN</b> Single-color Panel 18 inch (45 cm) interconnect cable for fixture-to-fixture connections. For fixture-to-power supply or fixture-to-control connections, this cable requires LW-CBL-PNL-5-SC-TAIL.		<b>LW-CBL-PNL-18-RGB-EXTN</b> RGB Panel 18 inch (45 cm) interconnect cable for fixture-to-fixture connections. For fixture-to-power supply or fixture-to-control connections, this cable requires LW-CBL-PNL-5-RGB-TAIL.
	<b>LW-CBL-PNL-36-SC-EXTN</b> Single-color Panel 3 foot (90 cm) interconnect cable for fixture-to-fixture connections. For fixture-to-power supply or fixture-to-control connections, this cable requires LW-CBL-PNL-5-SC-TAIL.		<b>LW-CBL-PNL-36-RGB-EXTN</b> RGB Panel 3 foot (90 cm) interconnect cable for fixture-to-fixture connections. For fixture-to-power supply or fixture-to-control connections, this cable requires LW-CBL-PNL-5-RGB-TAIL.
	<b>LW-CBL-PNL-120-SC-EXTN</b> Single-color Panel 10 foot (3m) interconnect cable for fixture-to-fixture connections. For fixture-to-power supply or fixture-to-control connections, this cable requires LW-CBL-PNL-5-SC-TAIL.		<b>LW-CBL-PNL-120-RGB-EXTN</b> RGB Panel 10 foot (3m) interconnect cable for fixture-to-fixture connections. For fixture-to-power supply or fixture-to-control connections, this cable requires LW-CBL-PNL-5-RGB-TAIL.
	<b>LW-CBL-PNL-5-SC-TAIL</b> Single-color Panel 5 inch (12.5cm) cable with stripped wires on one end and a fixture connection on the other. Stripped wires connect to a power supply or LightWild control unit. Specify one per home run.		<b>LW-CBL-PNL-5-RGB-TAIL</b> RGB Panel 5 inch (12.5cm) cable with stripped wires on one end and a fixture connection on the other. Stripped wires connect to a power supply or LightWild control unit. Specify one per home run.

### LIGHTWILD TILES

All cable is contractor supplied.

### LIGHTWILD LUSIO

All cable is contractor supplied.