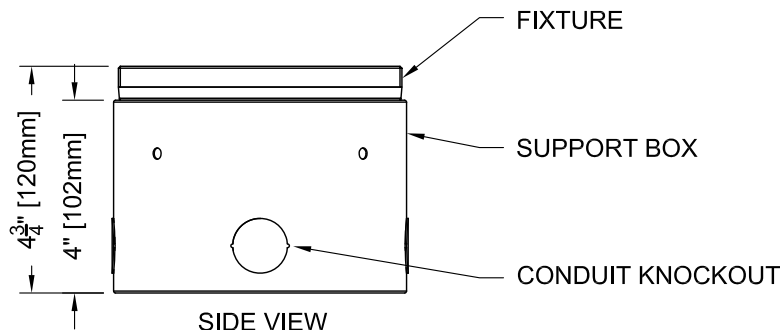
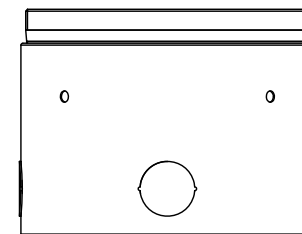


TOP VIEW



SIDE VIEW



END VIEW

MOUNTING BOXES ARE SUPPLIED WITH A WOOD BLOCKOUT FOR USE IN PLACE OF THE FITTURE DURING CONSTRUCTION.

FIXTURES ARE SUBJECT TO CHANGE WITHOUT NOTICE.

DO NOT LOCATE TILE FIXTURES WITHIN 10' OF A POOL OR FOUNTAIN.

THE MANUFACTURING PROCESS USED FOR LIGHTWILD TILES CAN OCCASIONALLY PRODUCE SLIGHT VARIATIONS IN DIMENSIONS QUOTED ON PRODUCT DATA SHEETS, THE LIGHTWILD WEB SITE, AND OTHER PRODUCT DOCUMENTATION. IN FINAL INSTALLATIONS, TILES SHOULD BE SLIGHTLY RECESSED FROM SURROUNDING SURFACES TO AVOID TRIPPING HAZARDS. INSTALLATION PROCEDURES SHOULD INCLUDE A MEANS TO LEVEL TILES VERTICALLY OR ADJUST HORIZONTALLY IF NECESSARY TO ACHIEVE DESIRED RESULTS.

LIGHTWILD IS THE OWNER OF ALL COPYRIGHT AND ALL OTHER INTELLECTUAL PROPERTY RIGHTS IN THIS DRAWING AND SHALL ONLY BE USED FOR PURPOSES SET OUT AND APPROVED BY LIGHTWILD. ANY ATTEMPT TO COPY OR DISTRIBUTE THIS DOCUMENT, IN WHOLE OR IN PART, OR TO USE THIS DOCUMENT WITHOUT THE EXPRESS WRITTEN APPROVAL OF LIGHTWILD IS PROHIBITED. COPYRIGHT © 2008 LIGHTWILD

LIGHTWILD

7320 W 162ND ST.
OVERLAND PARK, KS 66085
913-851-3000

CUSTOMER DRAWING

LW-TILE-CIRC-6

ALL DIMENSIONS ARE APPROXIMATE

REV: V4.00

DATE: 12/06/2010

SCALE: 1" = 4"

SHEET: 1 OF 1