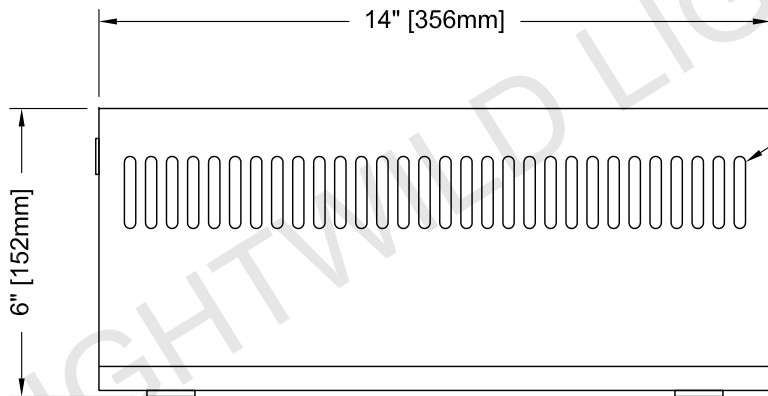


TOP VIEW

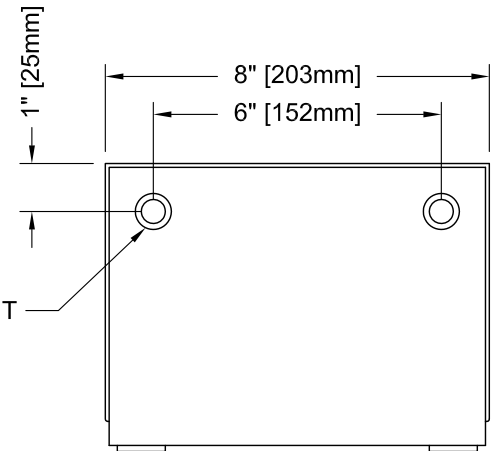


SIDE VIEW

REMOVABLE COVER
VENT OPENINGS

0.50 X 0.75 KNOCKOUT

MOUNTING FEET



END VIEW

FIXTURES ARE SUBJECT TO CHANGE WITHOUT NOTICE.

LIGHTWILD IS THE OWNER OF ALL COPYRIGHT AND ALL OTHER INTELLECTUAL PROPERTY RIGHTS IN THIS DRAWING AND SHALL ONLY BE USED FOR PURPOSES SET OUT AND APPROVED BY LIGHTWILD. ANY ATTEMPT TO COPY OR DISTRIBUTE THIS DOCUMENT, IN WHOLE OR IN PART, OR TO USE THIS DOCUMENT WITHOUT THE EXPRESS WRITTEN APPROVAL OF LIGHTWILD IS PROHIBITED. COPYRIGHT © 2008 LIGHTWILD

LIGHTWILD

7320 W 162ND ST.
OVERLAND PARK, KS 66085
913-851-3000

CUSTOMER DRAWING
N1 - INTERIOR ENCLOSURE
FOR LIGHT FIXTURE CONTROLS
ALL DIMENSIONS ARE APPROXIMATE

REV: 00

DATE: 02/17/09

SCALE: 1" = 4"

SHEET: 1 OF 1